

R4 MULTI SHIFT SEATING

IMPACT



FEATURES

- » Adjustable seat height
- » Adjustable seat and back angle
- » Adjustable seat depth (seat slider)
- » Adjustable weight tension
- » Adjustable lumbar support
- » Optional headrest
- » Adjustable arms
- » Moulded seat and back foam
- » Saddle seat
- » Double steel strengthened for both seat and back
- » Synchron mechanism with 3 locking positions
- » 720mm aluminium base
- » Brake castors
- » AFRDI tested to level 6
- » Multi shift use 200kg
- » Available in black only
- » Minor assembly required
- » Suitable for indoor use only
- » 7 year warranty
- » Weight limit is 200kg

INDOOR USE ONLY

✗ Do not use as a step ladder

INNER BACK LEVER
To adjust seat angle
(Forwards)

INNER RIGHT LEVER
To adjust seat height

BACK KNOB
To adjust lumbar

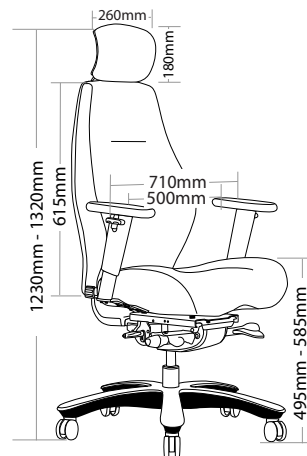
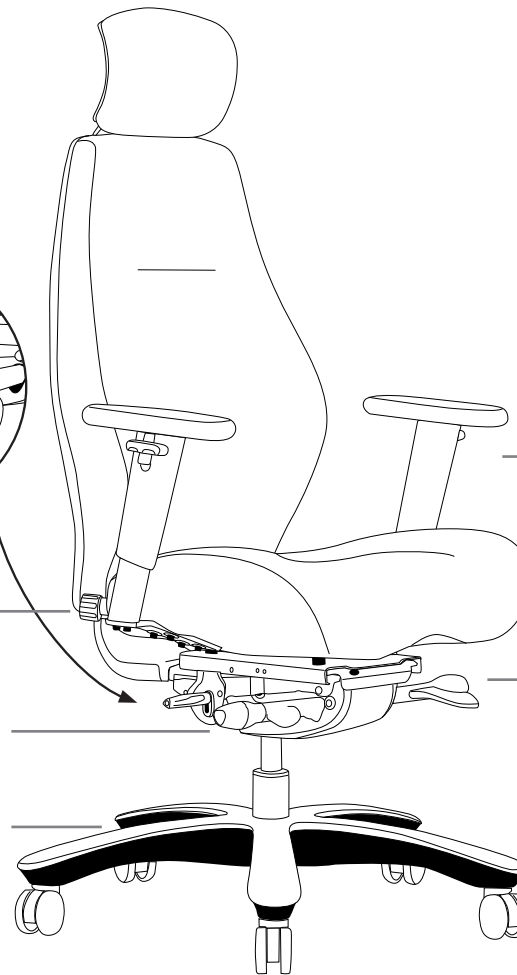
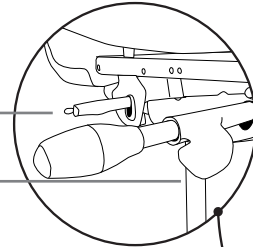
RIGHT KNOB
To adjust weight tension

**720MM ALUMINIUM
5 STAR BASE WITH BRAKE CASTORS**
Use soft tyred castors for tiles
Use hard tyred castors for carpet

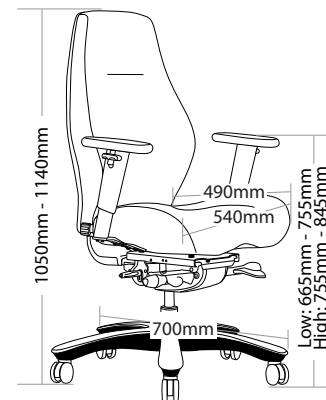
ADJUSTABLE ARMS

LEFT KNOB
To adjust seat and
back angle

INNER LEFT LEVER
To adjust seat depth
(seat slider)



IMPACT-H



IMPACT-L

IMPACT MULTI SHIFT SEATING



IMPACT-H

ADJUSTABLE LUMBAR



IMPACT-L



BACK VIEW

** Please note that the Headrest should not be used to manoeuvre the chair.*