

R11 INDUSTRIAL STOOLS

STAGE



FEATURES

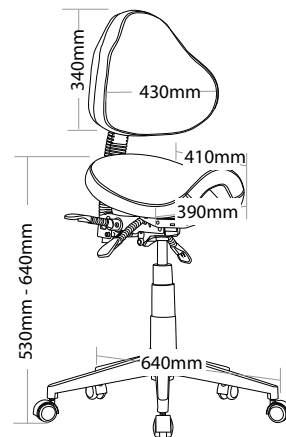
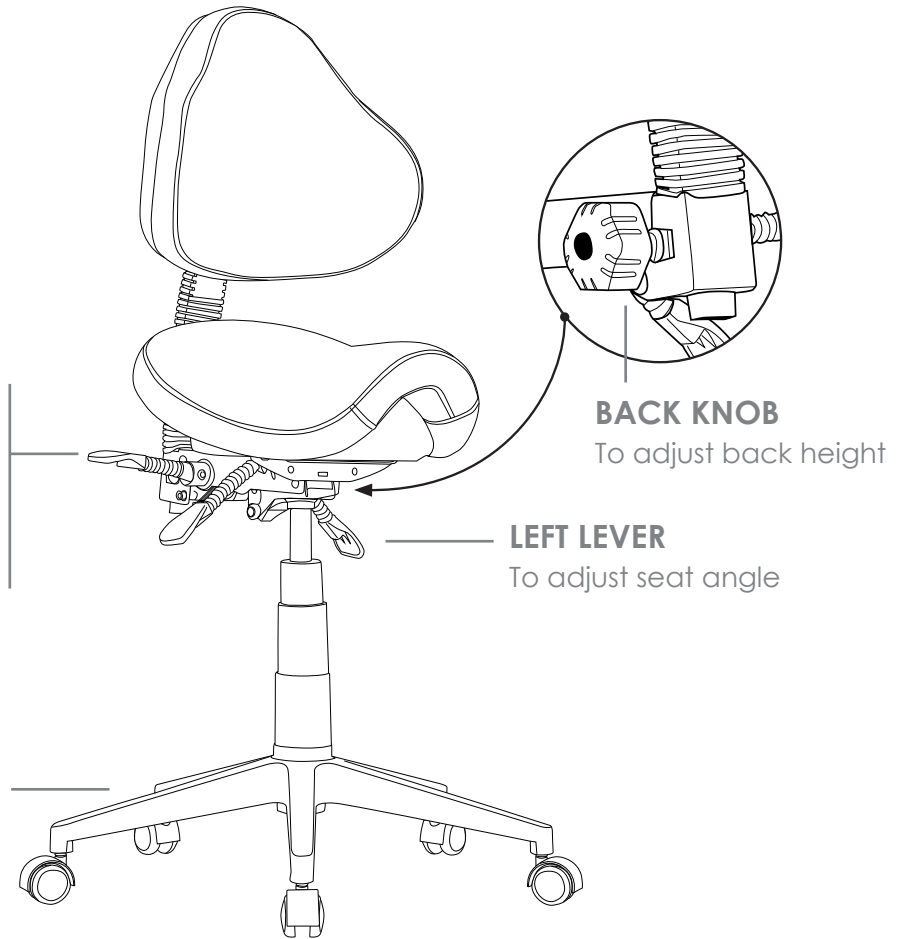
- » Adjustable seat height
- » Adjustable back height
- » Adjustable seat and back angle
- » Optional drafting kit
- » Optional glides or brake castors
- » Saddle seat
- » 640mm black nylon base with castors
- » Available in black PU only
- » Minor assembly required
- » Suitable for indoor use only
- » 5 year warranty
- » Weight limit is 120kg

INDOOR USE ONLY

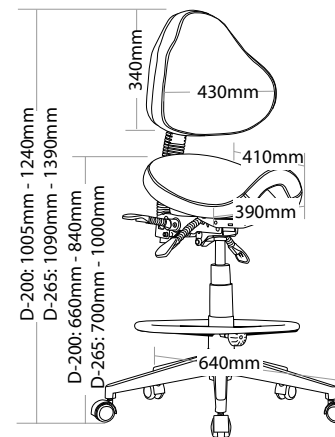
X Do not use as a step ladder

640MM BLACK NYLON 5 STAR BASE WITH CASTORS

Use soft tyred castors for tiles
Use hard tyred castors for carpet



STAGE



STAGE-D

STAGE INDUSTRIAL STOOL



STAGE



STAGE-D



BACK VIEW