

R11 INDUSTRIAL STOOLS

CAD



FEATURES

- » Adjustable seat height
- » Adjustable seat angle
- » Optional drafting kit
- » Optional glides or brake castors
- » Saddle seat
- » Nylon castors
- » 640mm black nylon base
- » Available in black PU only
- » Minor assembly required
- » Suitable for indoor use only
- » 5 year warranty
- » Weight limit is 120kg

INDOOR USE ONLY

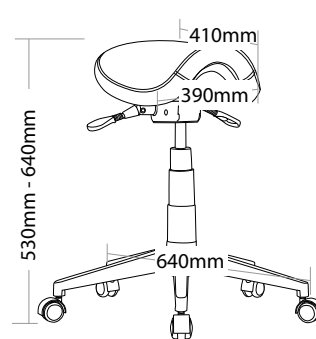
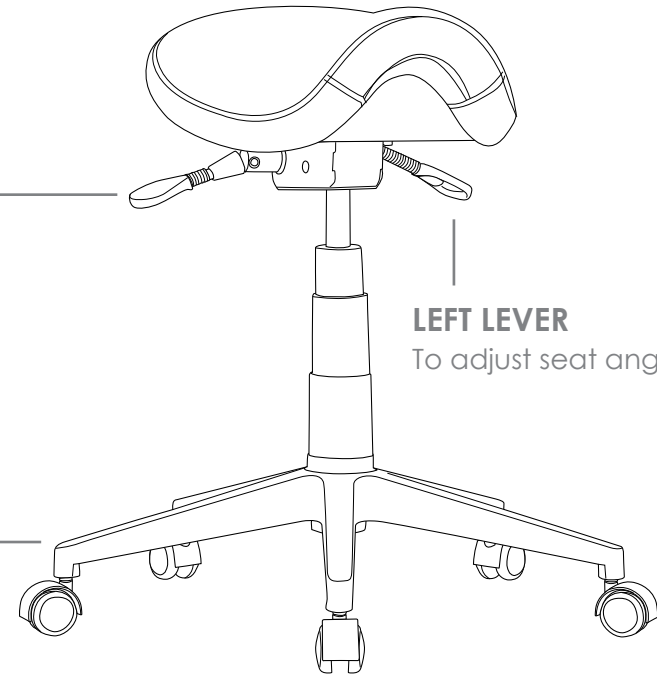
✘ Do not use as a step ladder

RIGHT LEVER
To adjust seat height

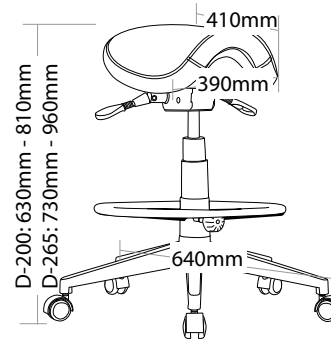
LEFT LEVER
To adjust seat angle

**640MM BLACK NYLON 5 STAR
BASE WITH CASTORS**

Use soft tyred castors for tiles
Use hard tyred castors for carpet



CAD



CAD-D

CAD INDUSTRIAL STOOL



CAD



CAD-D



BACK VIEW