

R2 TASK SEATING

SPIRAL



FEATURES

- » Adjustable seat height
- » Adjustable back height (ratchet)
- » Adjustable back and seat angle
- » Adjustable weight tension
- » Optional adjustable arms
- » Moulded seat and back foam
- » Mega big boy seat
- » Not available with drafting and seat slider
- » 3 lever ergonomic heavy duty mechanism
- » 700mm black nylon base
- » Available in local fabrics
- » AFRDI tested to level 6
- » Suitable for indoor use only
- » 7 year warranty
- » Weight limit is 140kg

INDOOR USE ONLY

✗ Do not use as a step ladder

OPTIONAL ADJUSTABLE ARMS

RIGHT BACK LEVER
To adjust back angle

RIGHT MIDDLE LEVER
To adjust seat angle

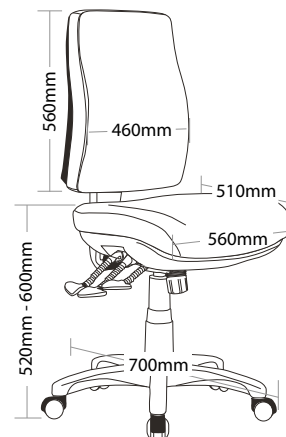
RIGHT FRONT LEVER
To adjust seat height

To adjust back height hold back with two hands while seated and raise to desired height
To lower the back height raise back all the way to the top and release slowly

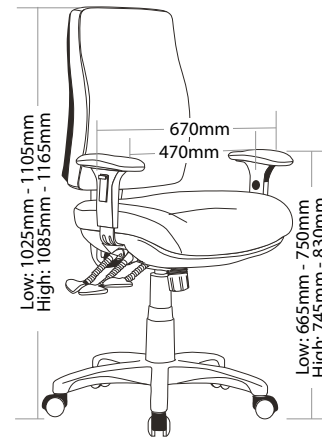
FRONT KNOB
To adjust weight tension

700MM BLACK NYLON 5 STAR BASE WITH CASTORS

Use soft tyred castors for tiles
Use hard tyred castors for carpet



SPIRAL



SPIRAL-C

SPIRAL TASK SEATING



SPIRAL



SPIRAL-C



BACK VIEW