

R12 INDUSTRIAL STOOLS

STATE



FEATURES

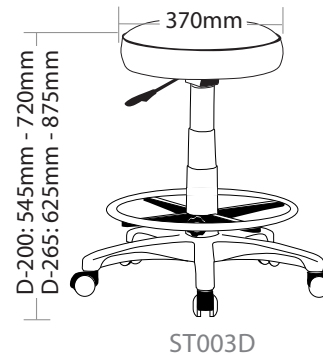
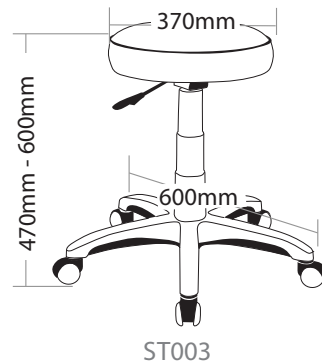
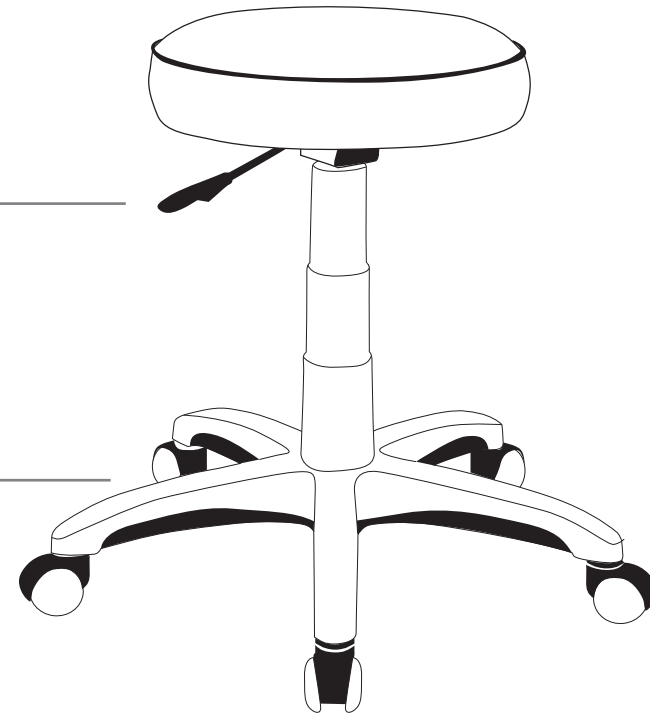
- » Adjustable seat height
- » Optional drafting kit
- » Optional glides or brake castors
- » 600mm black nylon base
- » Available in local fabrics
- » Suitable for indoor use
- » 5 year warranty
- » Weight limit is 120kg

INDOOR USE ONLY

X Do not use as a step ladder

LEVER
To adjust seat height

**600MM BLACK NYLON
5 STAR BASE WITH CASTORS**
Use soft tyred castors for tiles
Use hard tyred castors for carpet



STATE INDUSTRIAL STOOL



ST003



ST003D