

# R5 HOSPITALITY SEATING

## MAXI 4 LEGS



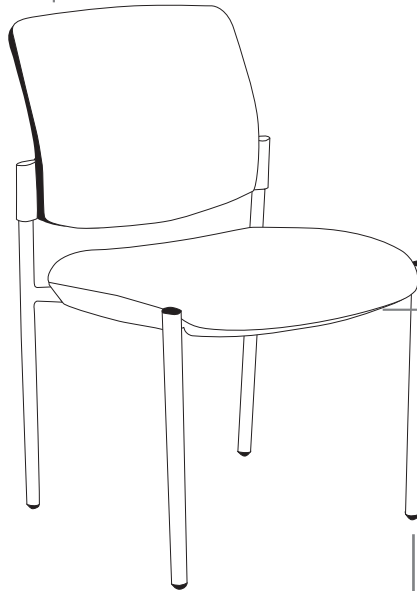
### FEATURES

- » Available with or without arms
- » Available in beam seating
- » Optional black or chrome finish
- » Optional upholstered or mesh back
- » Plastic under pan
- » Plastic outer back (upholstered back only)
- » 4 legs frame
- » Available in local fabrics
- » Back mesh available in Jazz mesh
- » Optional frame or base colour (please allow 5 more days)
- » AFRDI approved to level 6
- » Suitable for indoor use only
- » 5 year warranty
- » Weight limit is 120kg

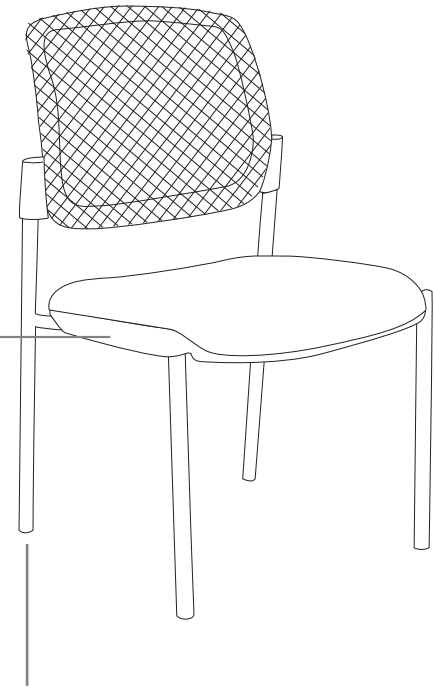
### INDOOR USE ONLY

✗ Do not use as a step ladder

PLASTIC OUTER BACK

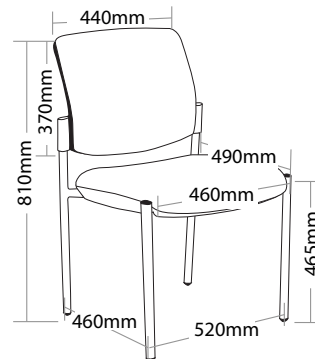


PLASTIC UNDER PAN

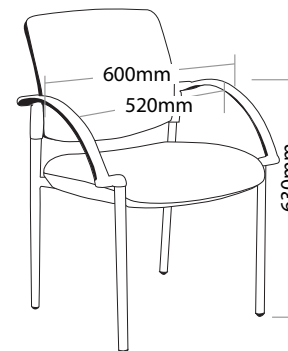


4 LEGS FRAME

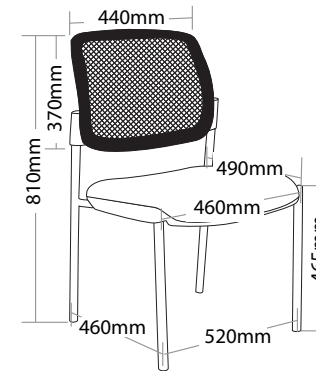
Keep a permanent contact between base of chair and floor



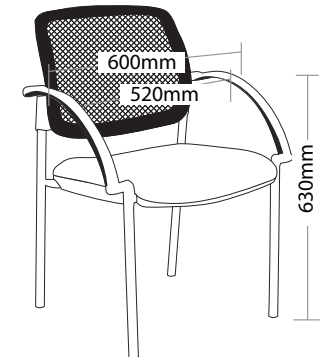
M1



M1-B



MM1



MM1-B

# MAXI 4 LEGS HOSPITALITY SEATING



M1



M1-B



M1-C



M1-BC



MM1



MM1-B



MM1-C



MM1-BC

# R5 HOSPITALITY SEATING

## MAXI SLED

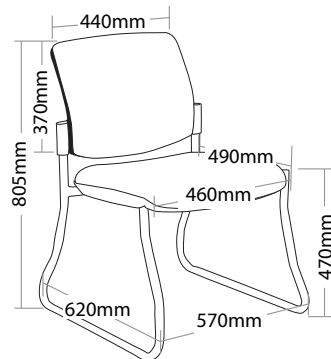
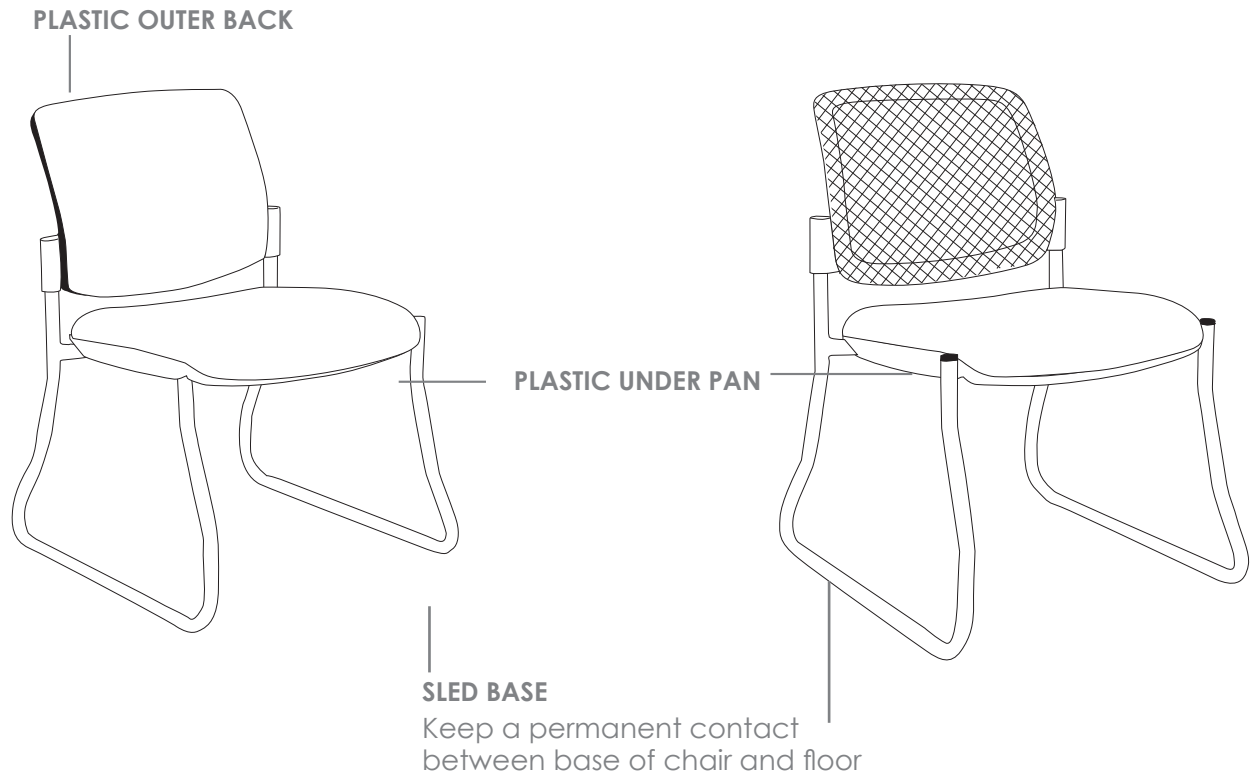


### FEATURES

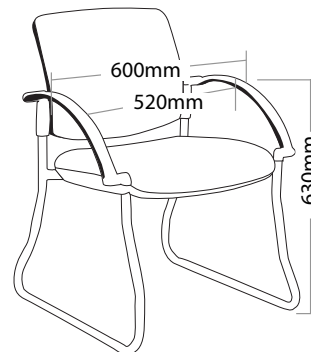
- » Available with or without arms
- » Available in beam seating
- » Optional black or chrome finish
- » Optional upholstered or mesh back
- » Stackable except with arms (Limit of 3)
- » Plastic under pan
- » Plastic outer back (upholstered back only)
- » Sled base frame
- » Available in local fabrics
- » Back mesh available in Jazz mesh
- » Optional frame or base colour (please allow 5 more days)
- » AFRDI approved to level 6
- » Suitable for indoor use only
- » 5 year warranty
- » Weight limit is 120kg

### INDOOR USE ONLY

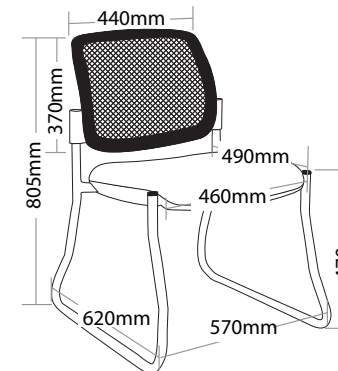
✗ Do not use as a step ladder



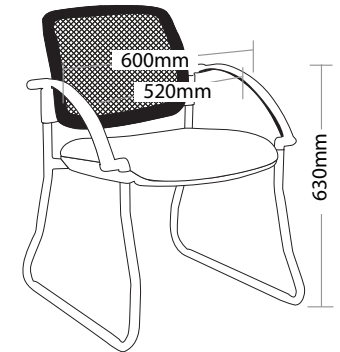
M4



M4-A



MM4



MM4-A

# MAXI SLED

# HOSPITALITY SEATING



M4



M4-A



M4-C



M4-AC



MM4



MM4-A



MM4-C



MM4-AC