

R4 EXECUTIVE SEATING

PORTO



FEATURES

- » Adjustable seat height
- » Adjustable seat and back angle
- » Adjustable seat depth (seat slider)
- » Adjustable weight tension
- » Adjustable arms
- » Available in high and low back
- » Plastic under pan
- » Moulded seat and back foam
- » Synchron mechanism with 3 locking positions
- » 700mm alloy base
- » Available in local fabrics
- » Optional frame or base colour (please allow 5 more days)
- » Suitable for indoor use only
- » 5 year warranty
- » Weight limit is 130kg

INDOOR USE ONLY

X Do not use as a step ladder

ADJUSTABLE ARMS

RIGHT KNOB

To adjust weight tension

INNER RIGHT LEVER

To adjust seat height

700MM ALLOY 5 STAR BASE WITH CASTORS

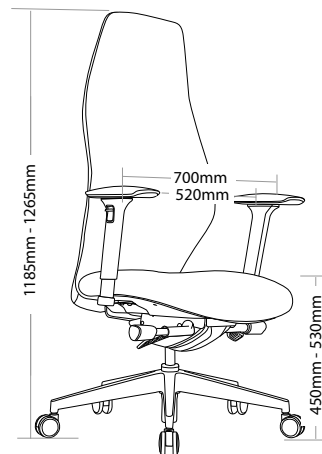
Use soft tyred castors for tiles
Use hard tyred castors for carpet

LEFT KNOB

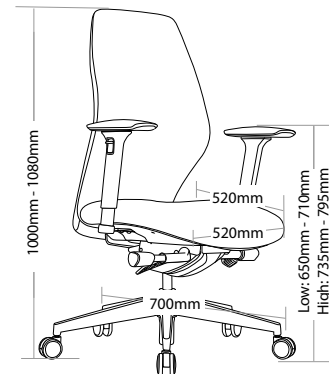
To adjust seat and back angle

INNER LEFT LEVER

To adjust seat depth (seat slider)



PORTO-H



PORTO-L

PORTO EXECUTIVE SEATING



PORTO-H



PORTO-L



BACK VIEW